

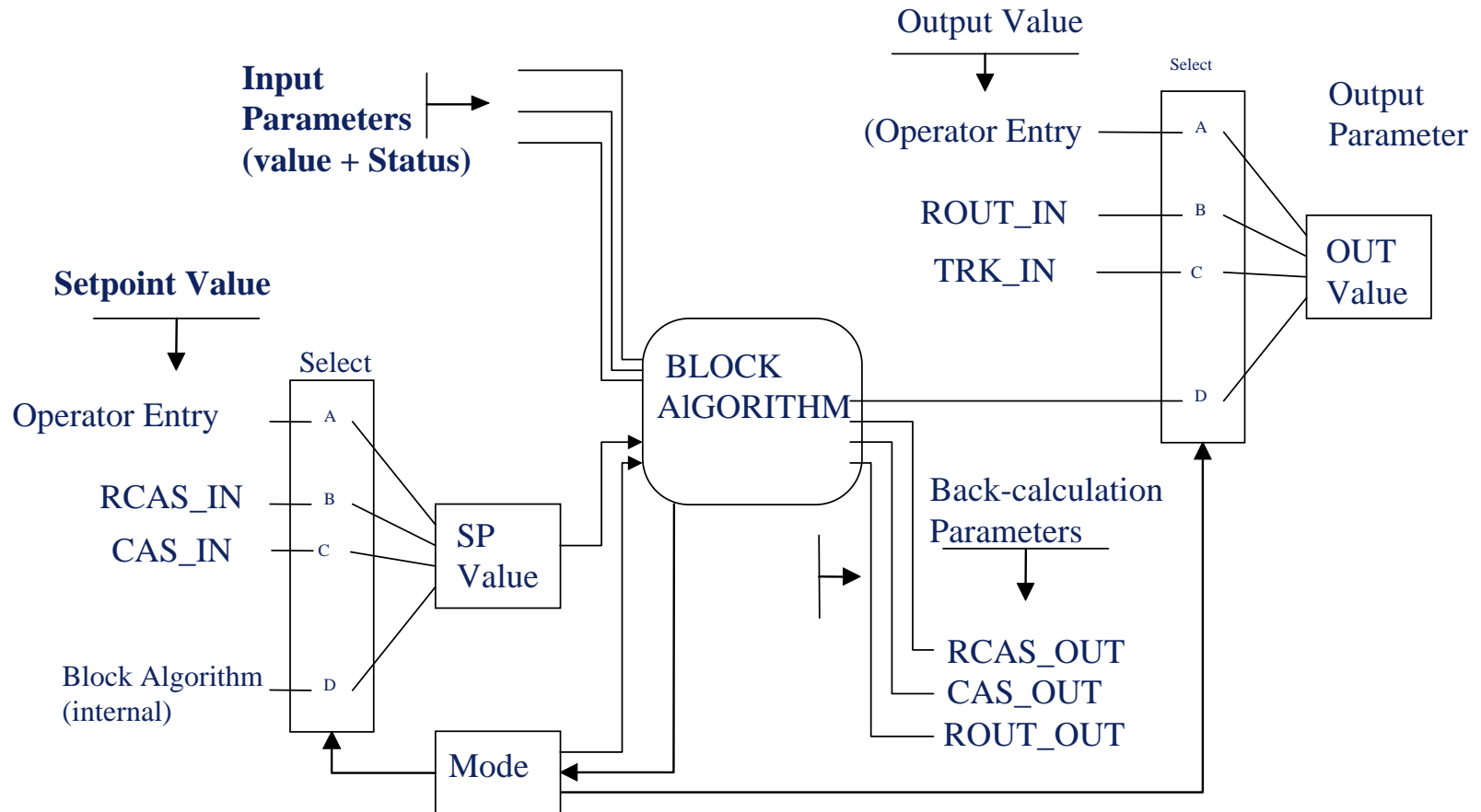
Fieldbus Foundation Mode

Parameter definition

Foundation Fieldbus Mode

- The MODE parameter is defined as a data structure that consists of four(4) attributes:
 - Target mode – the mode of operation requested by the plant operator
 - Actual mode – the mode of operation that can be achieved based on input status, target mode, state of track input (if supported) and state of the device
 - Permitted mode – the modes that that operator will be allowed to select for an instance of a block
 - Normal mode – the designed mode of operation i.e the mode that should be selected for normal operations,
- These attributes are bitstrings whose definition is defined by the Fieldbus Foundation Function Block Specification, Part 1, section 4.4.3.5

Mode Determines the Source of Output & Setpoint



Supported Operator Modes

<i>Mode</i>	<i>Source of SP</i>	<i>Source of OUT</i>
Out-of-Service(O/S)	Operator	Operator
Manual (Man)_	Operator	Operator
Automatic (Auto)	Operator	Block
Cascade (Cas)	CAS_IN	Block
Remote Cascade(Rcas)	RCAS_IN	Block
Remote Output (Rout)	Operator	RCAS_OUT

Control and output blocks

Other Actual Modes

Actual Mode

Local Override (LO)

Initialization Manual (IMAN)

What it means

Track or Auto-tuning is active and in control of the output value

The forward path to a physical output is broken and the output is tracking the downstream block